

WCR A425M

PLATE HEAT EXCHANGER

Suitable for a wide range of Liquid-Liquid process applications, the A425M model is available with a large selection of plate and gasket types.

APPLICATIONS

- Biotech and Pharmaceutical
- Chemicals
- Energy and Utilities
- Food and Beverages
- Home and Personal Care
- HVAC and Refrigeration
- Machinery and Manufacturing
- Marine and Transportation
- Mining, Minerals and Pigments
- Pulp and Paper
- Semiconductor and Electronics
- Steel
- Water and Waste Treatment

BENEFITS

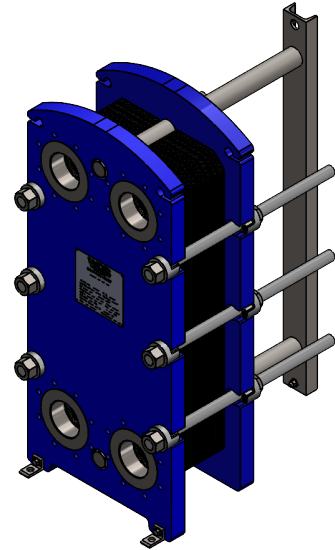
- High Energy Efficiency – Low Operating Cost
- Flexible Configuration – Heat Transfer Area Can Be Modified
- Easy to Install – Compact Design
- High Serviceability – Easy to Open for Inspection and Cleaning, and Easy to Clean by CIP
- Access to WCR's Global Service Network

FEATURES

Every detail is carefully designed to ensure optimal performance, maximum uptime and easy maintenance.

Selection of available features:

- Glued Gasket
- Clip-on Gasket
- Leak Chamber
- Fixed Bolt Head
- Key Hole Bolt Opening
- Lifting Lug
- Lining
- Lock Washer
- Tightening Bolt Cover



Ready at a moment's notice to keep your business flowing smoothly

WCR's comprehensive field and factory service and support network ensures that your equipment will continue to operate with maximum efficiency and effectiveness throughout its life cycle. WCR operates the largest gasket and plate manufacturing facility in North America and stocks a massive inventory of replacement plates and gaskets.

Start-up Support

- Installation
- Installation Supervision
- Commissioning

Maintenance

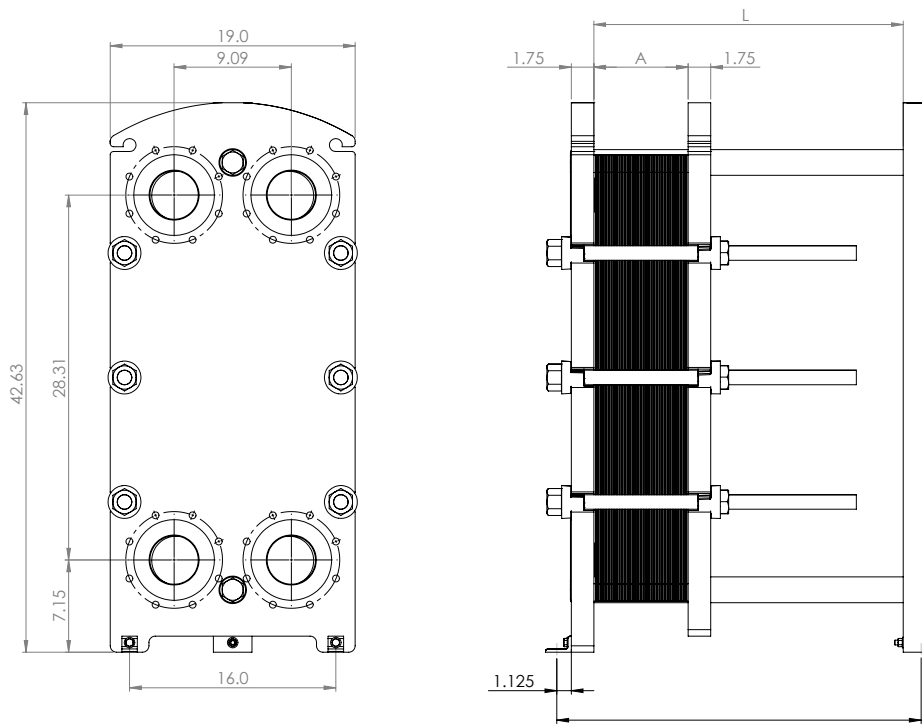
- Cleaning Services
- Reconditioning Improvements
- Repair
- Service Tools
- Spare Parts

Support

- Exclusive Stock
- Technical Documentation
- Telephone Support
- Training
- Troubleshooting

Improvements

- Equipment Upgrades and Redesign
- Replacement and Retrofit



	(L)					
FRAME LENGTH (in)	18	24	30	36	42	48
PLATE CAPACITY	18	37	62	86	109	133

SPECIFICATIONS	WCR A425M
MAWP (PSI)	150 / 300
MAWT (°F)	392
MAXIMUM CONNECTIONS (in)	4"
MAXIMUM FLOW RATE (GPM)	600
MAXIMUM SURFACE AREA (ft²)	312.6
VOLUME / CHANNEL (gal)	0.25

CONNECTION TYPE	
4" STD. STUDDED LINED 150 CLASS	
4" FLANGED 150 CLASS	4" TRI CLAMP
4" FLANGED 300 CLASS	4" STUDDED LINED 300 CLASS

H1 - FLUID 1 INLET

H3 - FLUID 2 INLET

H4 - FLUID 2 OUTLET

H2 - FLUID 2 OUTLET

Plate Material	AISI 304L AISI 316L Titanium Gr1 TiPd H C276 Ni200
Plate Thickness	0.5mm 0.6mm
Gasket Material	NBR EPDM HNBR Viton® Silicone VMQ® Alfas®
Frame Material	Carbon Steel 304 Stainless Steel
Frame Finish	Epoxy Coated Powder Coated Surface Prep 304
Tightening Rod	B7 Grade Clear Zinc B8 Grade Stainless
Connection Materials	AISI 304L AISI 316L Titanium Gr1 TiPd H C276 Ni200
Connection Type	Studded Lined Tri-Clamp Flanged



wcrhx.com

1-800-421-4927