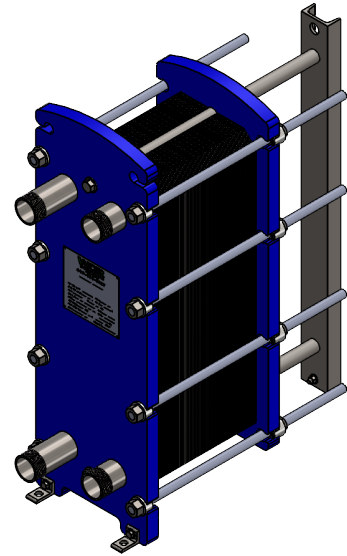


WCR A216M

PLATE HEAT EXCHANGER

Suitable for a wide range of Liquid-Liquid process applications, the A216M model is available with a large selection of plate and gasket types.



APPLICATIONS

- Biotech and Pharmaceutical
- Chemicals
- Energy and Utilities
- Food and Beverages
- Home and Personal Care
- HVAC and Refrigeration
- Machinery and Manufacturing
- Marine and Transportation
- Mining, Minerals and Pigments
- Pulp and Paper
- Semiconductor and Electronics
- Steel
- Water and Waste Treatment

BENEFITS

- High Energy Efficiency – Low Operating Cost
- Flexible Configuration – Heat Transfer Area Can Be Modified
- Easy to Install – Compact Design
- High Serviceability – Easy to Open for Inspection and Cleaning, and Easy to Clean by CIP
- Access to WCR's Global Service Network

FEATURES

Every detail is carefully designed to ensure optimal performance, maximum uptime and easy maintenance.

Selection of available features:

- Glued Gasket
- Clip-on Gasket
- Leak Chamber
- Fixed Bolt Head
- Key Hole Bolt Opening
- Lifting Lug
- Lining
- Lock Washer
- Tightening Bolt Cover

Ready at a moment's notice to keep your business flowing smoothly

WCR's comprehensive field and factory service and support network ensures that your equipment will continue to operate with maximum efficiency and effectiveness throughout its life cycle. WCR operates the largest gasket and plate manufacturing facility in North America and stocks a massive inventory of replacement plates and gaskets.

Start-up Support

- Installation
- Installation Supervision
- Commissioning

Maintenance

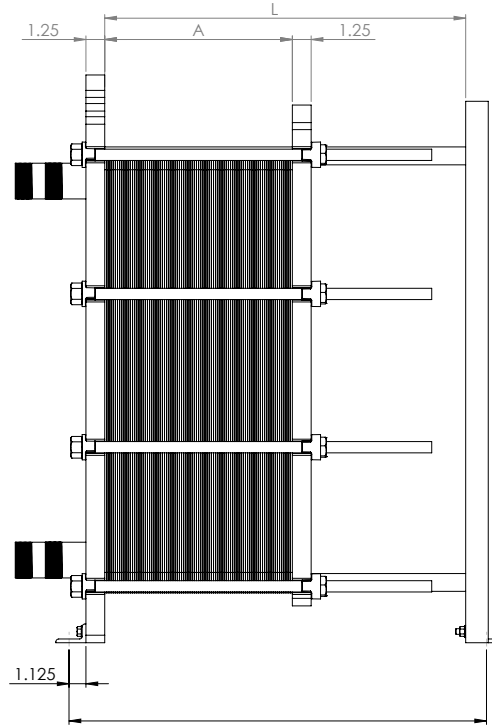
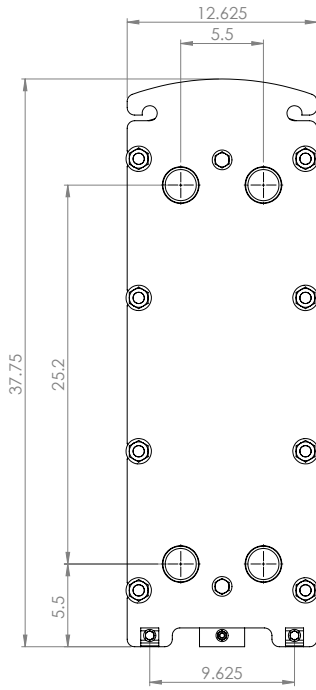
- Cleaning Services
- Reconditioning Improvements
- Repair
- Service Tools
- Spare Parts

Support

- Exclusive Stock
- Technical Documentation
- Telephone Support
- Training
- Troubleshooting

Improvements

- Equipment Upgrades and Redesign
- Replacement and Retrofit



(L)						
FRAME LENGTH (in)	18	24	30	36	42	48
PLATE CAPACITY	58	89	121	153	184	215

SPECIFICATIONS	WCR A216M
MAWP (PSI)	150 / 300
MAWT (°F)	392
MAXIMUM CONNECTIONS (in)	2"
MAXIMUM FLOW RATE (GPM)	150
MAXIMUM SURFACE AREA (ft ²)	322.5
VOLUME / CHANNEL (gal)	0.11

CONNECTION TYPE	
2" STD. NPT	
2" FLANGED	2" FPT
2" TRI CLAMP	2" STUDED LINED

H1 - FLUID 1 INLET
H3 - FLUID 2 INLET

H4 - FLUID 2 OUTLET
H2 - FLUID 2 OUTLET

- Plate Material** AISI 304L | AISI 316L | Titanium Gr1 | TiPd | H C276 | Ni200
- Plate Thickness** 0.5mm | 0.6mm
- Gasket Material** NBR | EPDM | HNBR | Viton® | Silicone VMQ® | Alfas®
- Frame Material** Carbon Steel | 304 Stainless Steel
- Frame Finish** Epoxy Coated | Powder Coated | Surface Prep 304
- Tightening Rod** B7 Grade Clear Zinc | B8 Grade Stainless
- Connection Materials** AISI 304L | AISI 316L | Titanium Gr1 | TiPd | H C276 | Ni200
- Connection Type** NPT Threaded | FPT Threaded | Tri-Clamp | Flanged



wcrhx.com

1-800-421-4927